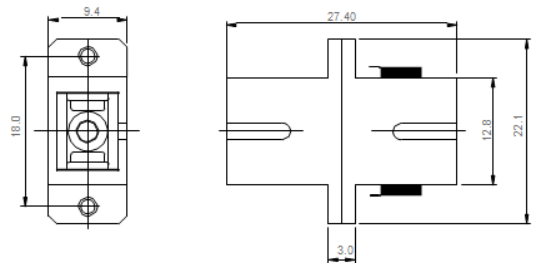
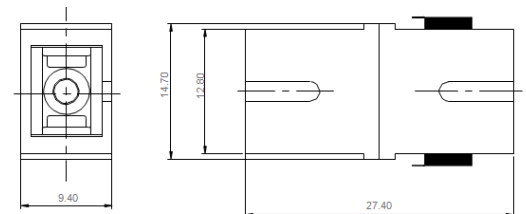


SC ADAPTER FAMILY V1.0
Feature:

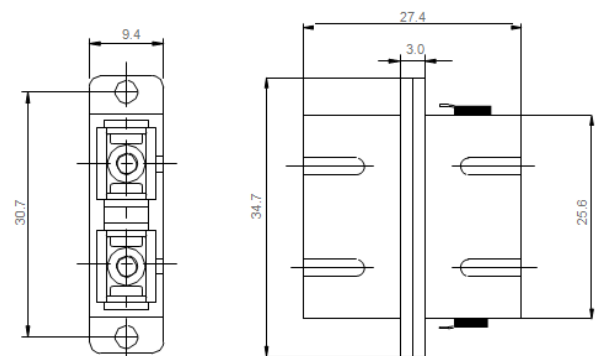
- Low insertion loss and back reflection loss.
- High Precision of Mechanical Dimensions.
- Compliant with Telcordia GR-326-Core, IEC, TIA.
- RoHS compliant.
- 100% Optic test.
- Max. IL ≤ 0.2db.

Dimension:
SS-SC SIMPLEX FLANGE ADAPTER

One Piece Adapter, No Weld Type


SSN- SIMPLEX NO FLANGE ADAPTER

SD-SC DUPLEX FLANGE ADAPTER

One Piece Adapter, No Weld Type

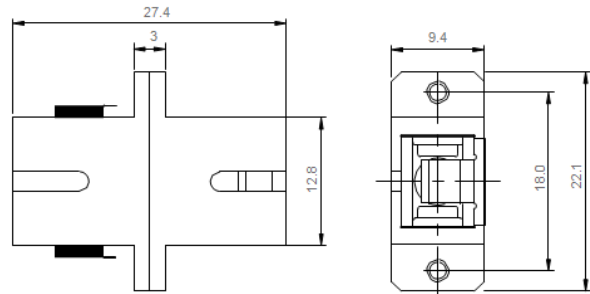




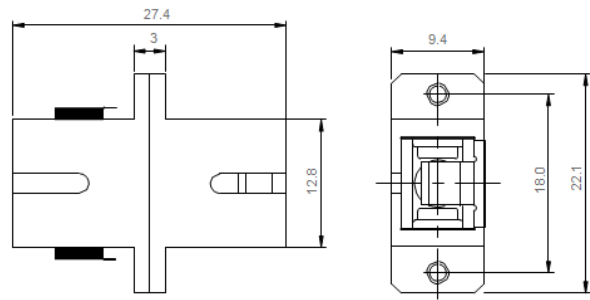
ADAPTER

SO-SC OUTER SHUTTER ADAPTER

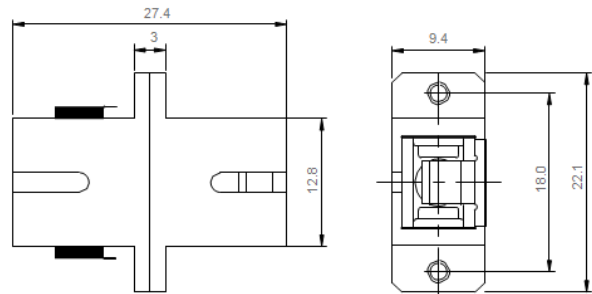
One Piece Adapter, No Weld Type



Welded Type, Different color



SI-SC INNER SHUTTER ADAPTER



TYPE OF ADAPTER CAP



NH-without handle



WH-with handle

ORDER INFORMATION

ADAPTER TYPE		HOUSING COLOR			DUST CAP	
SS	Simplex Flange Adapter	01	Blue		01	NH Black
SSN	Simplex No Flange Adapter	02	Green		02	NH Transparent
SD	Duplex Flange Adapter	03	Beige		03	WH BLACK
SDN	Duplex No Flange Adapter	04	Aqua		04	WH Semi-transparent
SO	Outer Shutter Flange Adapter	05	Magenta		05	WH Green
SON	Outer Shutter No Flange Adapter	06	White/Green	For Outer Shutter	06	WH Blue
SI	Inner Shutter Flange Adapter	07	White/Blue	For Outer Shutter		
SIN	Inner Shutter NO Flange Adapter					

FOR EXAMPLE



NH-without handle

ORDER NO. SS0101



ORDER NO. SO0706