

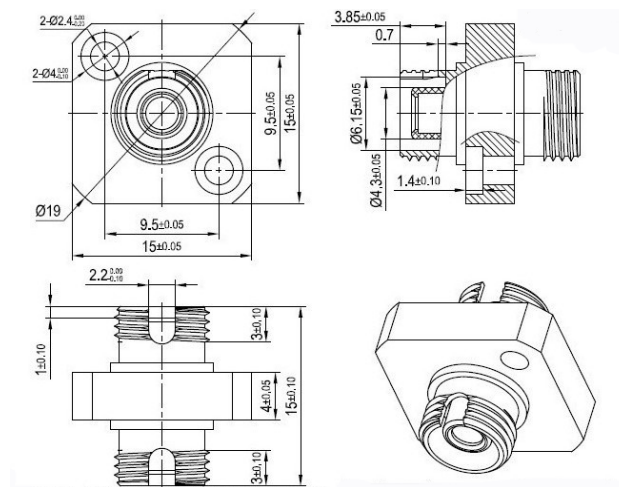
FC Adapter (Standard)

V1.0

1. Features

- Working Temperature: $-40^{\circ}\text{C} \sim +85^{\circ}\text{C}$
- Intermateability: IEC 874-14
- $\text{IL} \leq 0.2\text{db}$

2. Dimension



3. Photos



4. Part No.