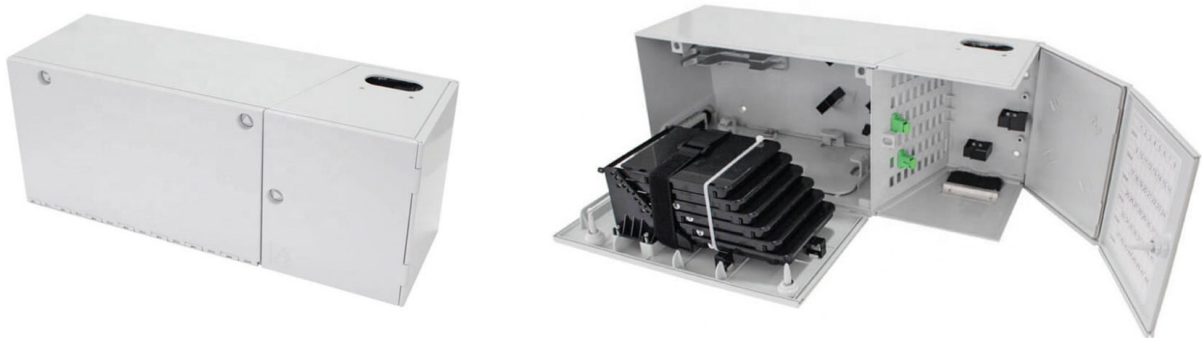


CTO48 48 cores Spain Multioperator fiber optical distribution box
INTRODUCTION

The CTO48 48 cores Spain Multioperator fiber optical distribution box is an indoor wall box, particularly adapted for FTTH Building (MDU) cabling. The MDB-M48 allows the connection, through patch panels or directly by splices, between the optical fibres feeding the MDU, and the optical fibres from the cables coming from the building network. According to the MDU configuration several modules can be assembled to form a MDB24, MDB48 or a MDB96.

Features

- The CTO48 is a wall box or module that allows splicing, patching, splitting or storage of optical fibres.
- A CTO32 version is also available with the capacity of 32, it can be stacked with the CTO32 to create a modular system.
- The CTO48 module has a central area to organize the fibres, this area is protected with a front door.
- The right hand side cover allows access to a common patch panel for up to 48SC positions. In the area, the top and bottom walls are removable to provide patching between the modules.
- The two covers are secured with a 8mm male triangular key, DIN3223.
- Two cable entry ports are available on the CTO48.
- A Storage Module: Suitable to store unused cable elements.
- The CTO48 is rated IP41 with a light grey color RAL 7035

Photos

Drawings
